

1

2

3

4

U_[2]-CPLD-XC95144
[2]-CPLD-XC95144.SchDoc



U_[3]-CPLD Power
[3]-CPLD Power.SchDoc



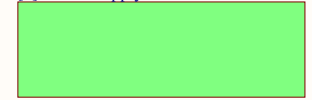
U_[4]-Arduino_Connectors
[4]-Arduino_Connectors.SchDoc



U_[5]-USB
[5]-USB.SchDoc



U_[6]-Power Supply
[6]-Power Supply.SchDoc



A

A

B


B

C

C

D

D

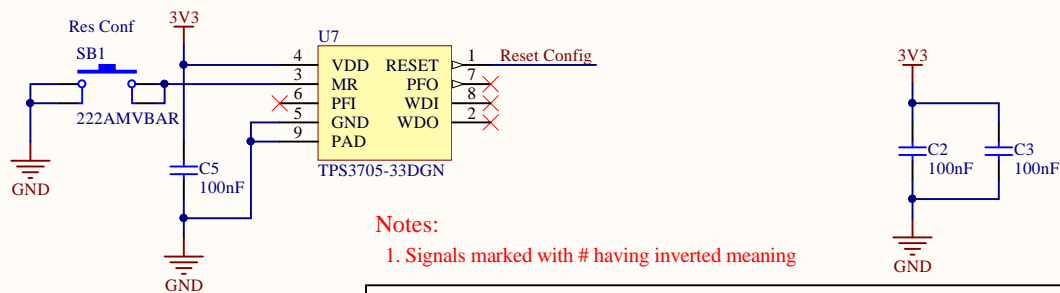
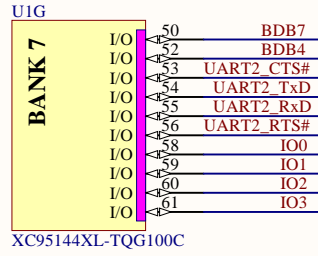
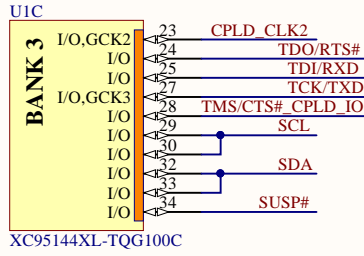
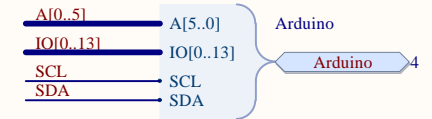
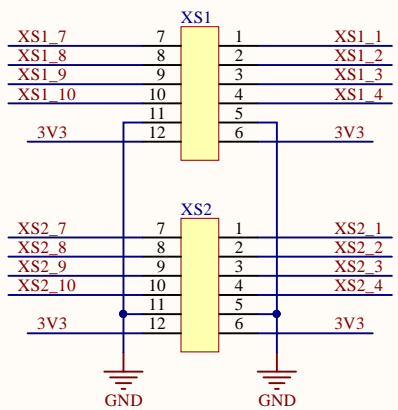
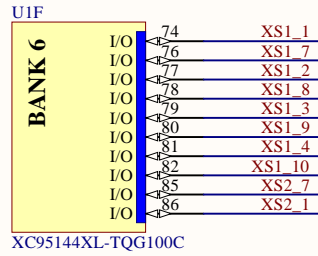
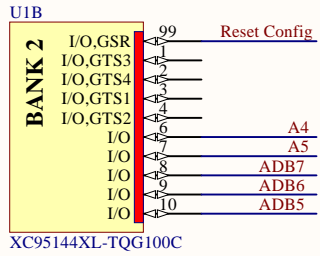
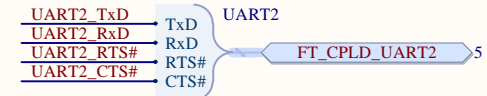
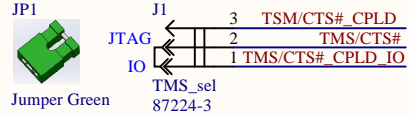
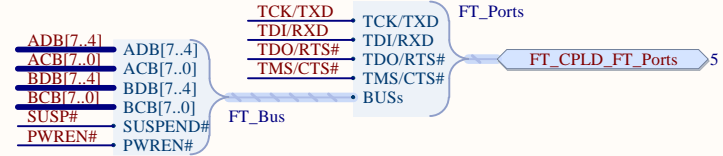
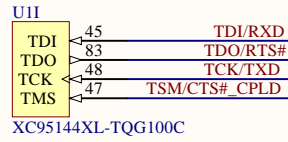
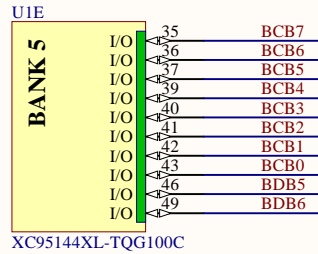
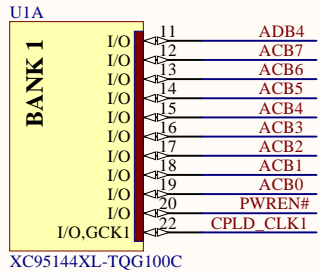
Project: A-TPS-144		
Title: [1]-A-TPS-144 Top.SchDoc	Variant: [No Variations]	
Engineer: Sergej Bakhmach	Revision: 1	
Size: A4	Sheet: 1 of 6	
Company: Those Boards		

1

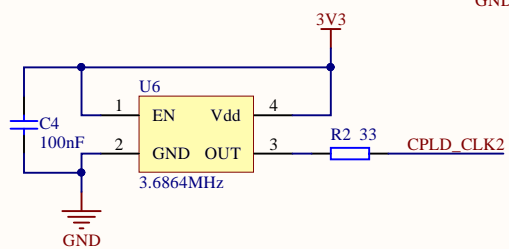
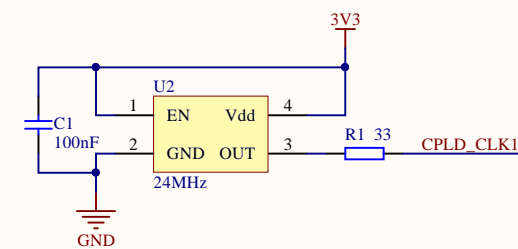
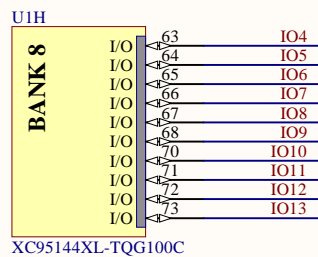
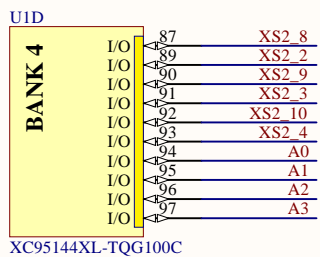
2

3

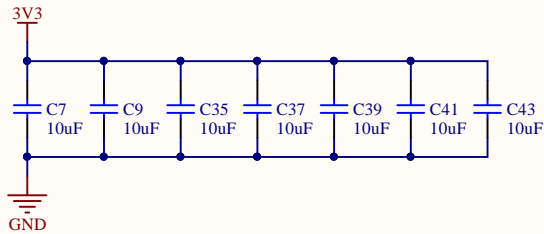
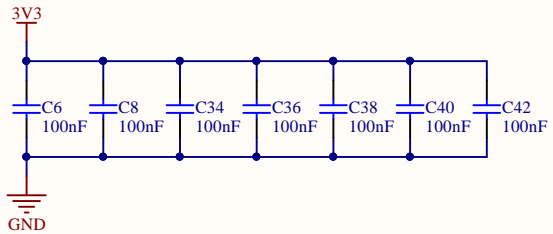
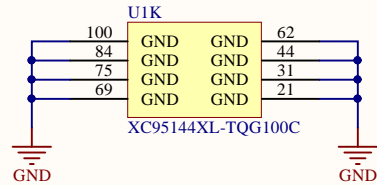
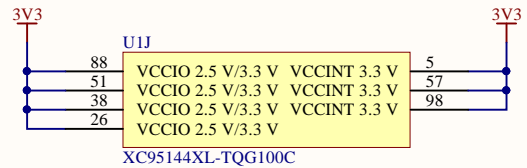
4



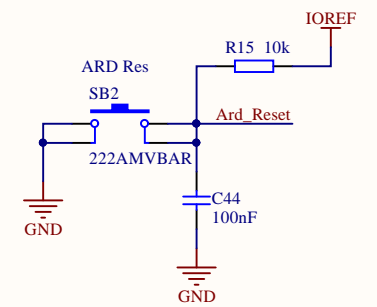
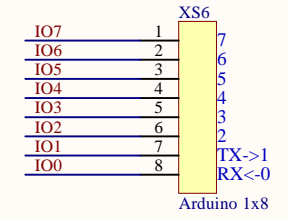
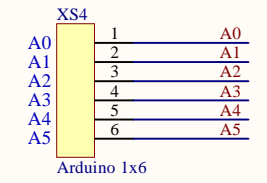
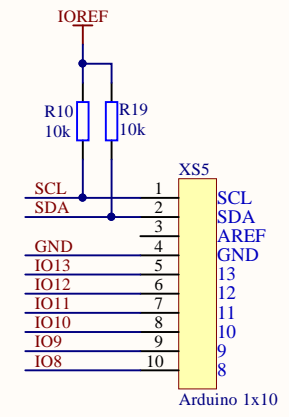
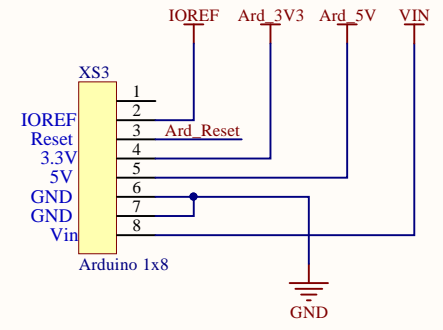
Notes:
1. Signals marked with # having inverted meaning



Project: A-TPS-144		
Title: [2]-CPLD-XC95144.SchDoc		
Engineer: Sergej Bakhmach	Revision: 1	
Size: A4	Sheet: 2 of 6	
Company: Those Boards		



Project: A-TPS-144		
Title: [3]-CPLD Power.SchDoc	Variant: [No Variations]	
Engineer: Sergej Bakhmach	Revision: 1	
Size: A4	Sheet: 3 of 6	
Company: Those Boards		

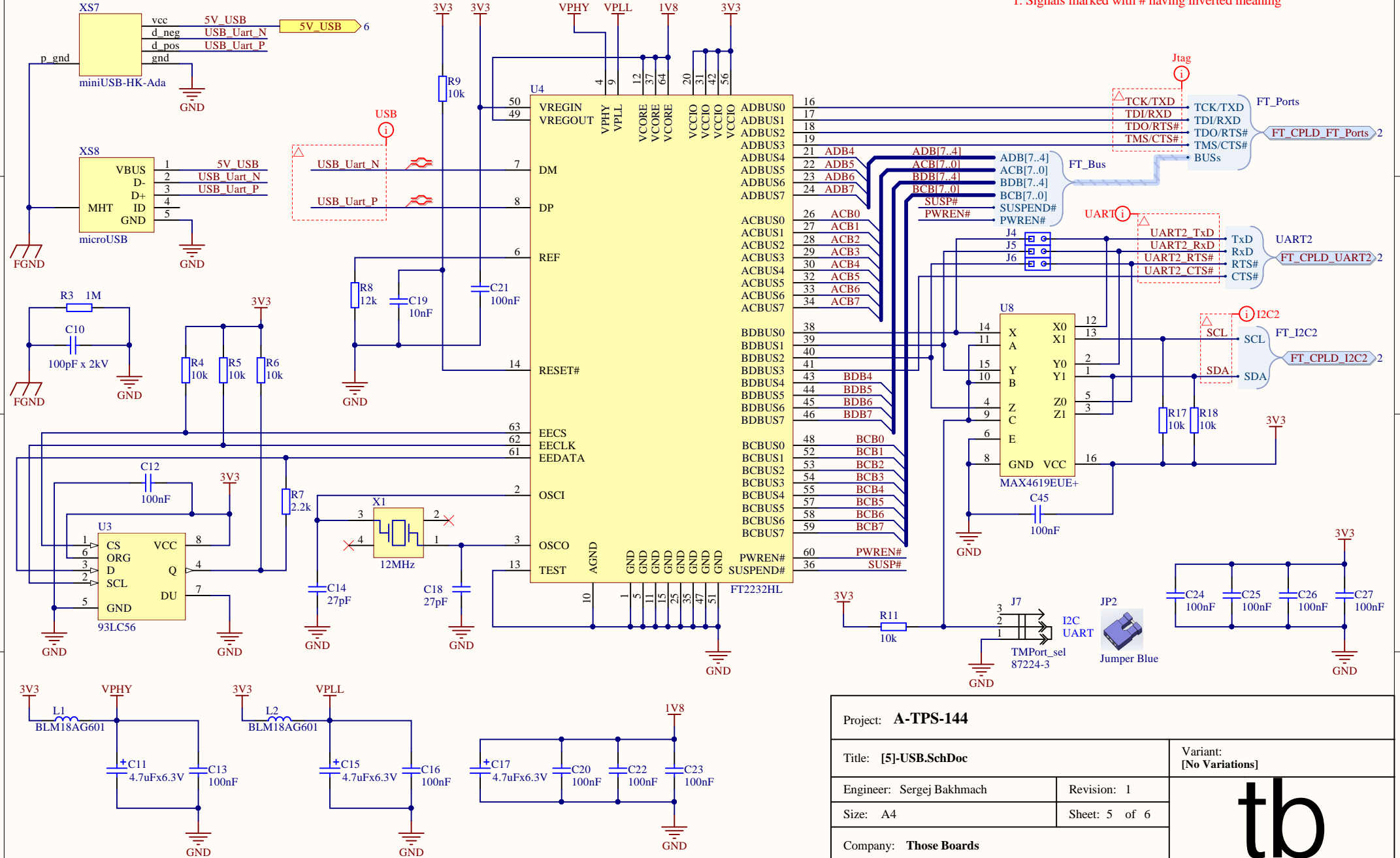


Project: A-TPS-144		
Title: [4]-Arduino_Connectors.SchDoc		Variant: [No Variations]
Engineer: Sergej Bakhmach	Revision: 1	
Size: A4	Sheet: 4 of 6	
Company: Those Boards		

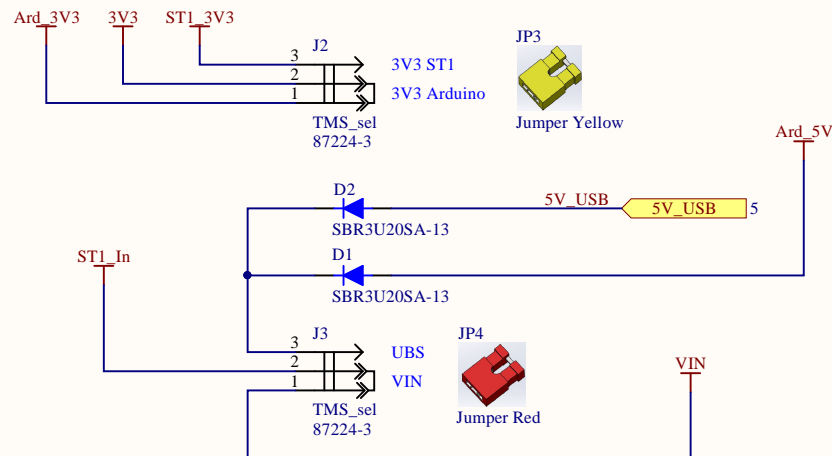
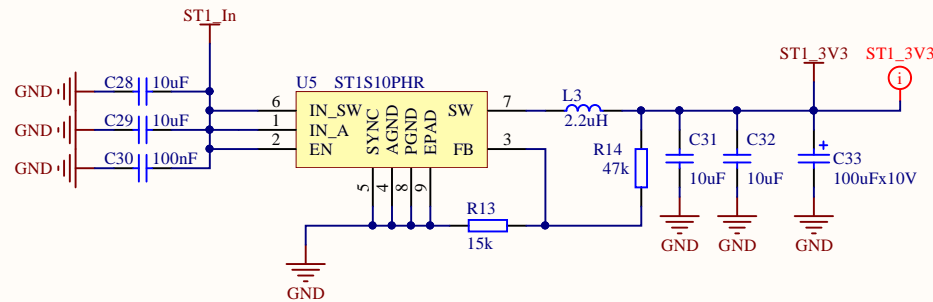


Notes:

1. Signals marked with # having inverted meaning



Project: A-TPS-144		
Title: [5]-USB.SchDoc	Variant: [No Variations]	
Engineer: Sergej Bakhmach	Revision: 1	
Size: A4	Sheet: 5 of 6	
Company: Those Boards		



J3 Jumper:
 1-2 Power from Arduino round connector with
 7-12V range depending on the model
 2-3 Power from Arduino-TPS USB or Arduino USB port

Project: A-TPS-144		
Title: [6]-Power Supply.SchDoc		
Engineer: Sergej Bakhmach	Revision: 1	
Size: A4	Sheet: 6 of 6	
Company: Those Boards		