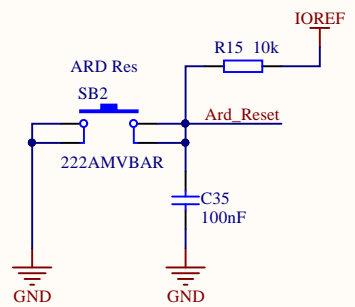
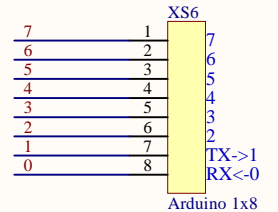
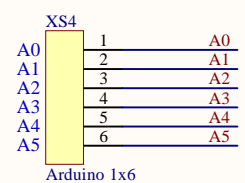
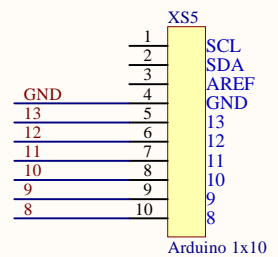
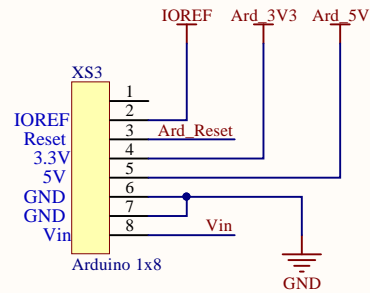


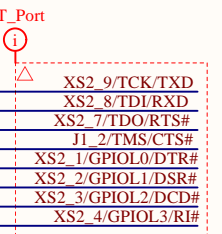
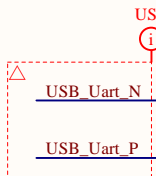
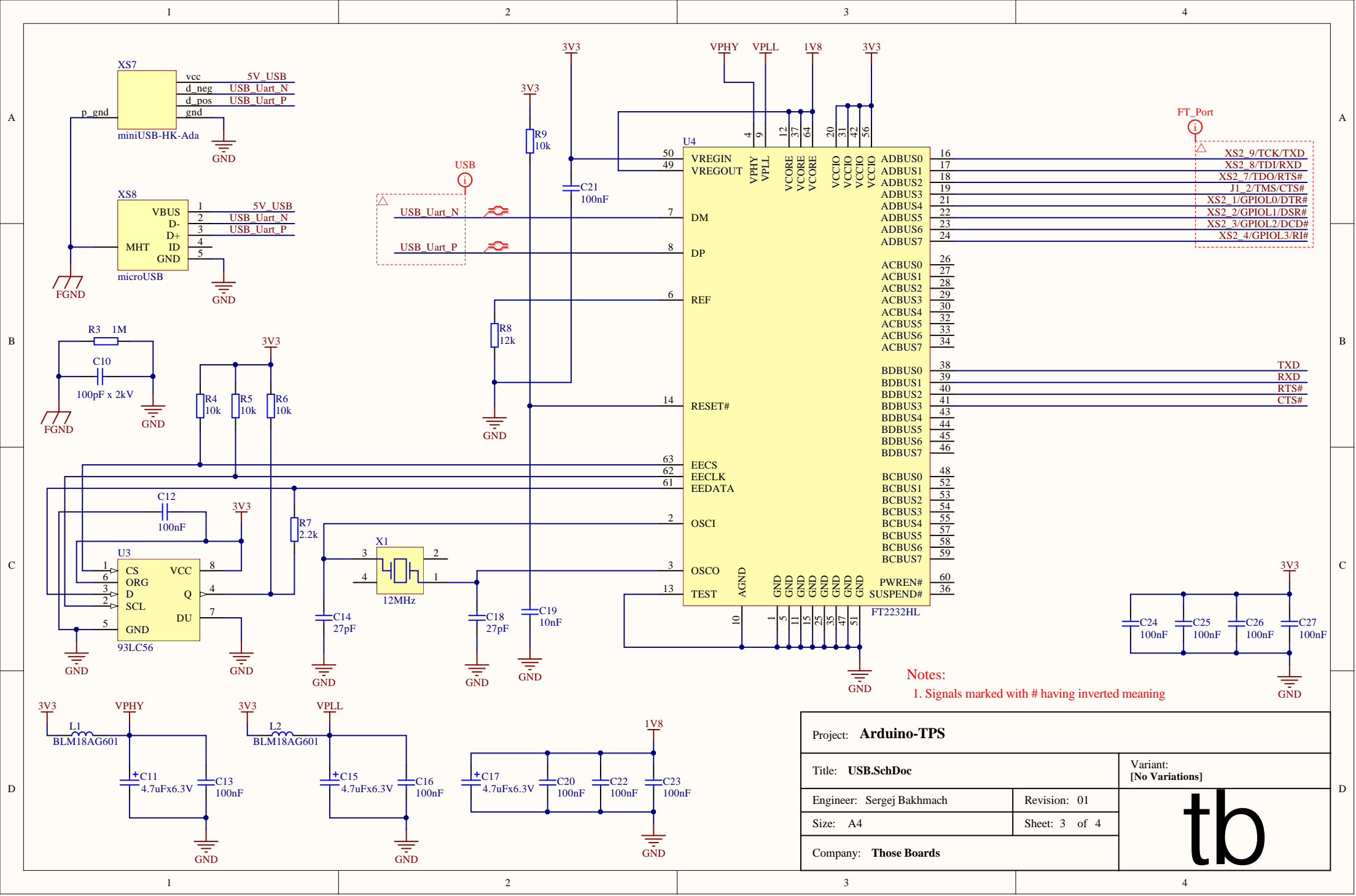
**Notes:**

- 1. Signals marked with # having inverted meaning


Project: <b>Arduino-TPS</b>		
Title: <b>CPLD-XC9572.SchDoc</b>	Variant: [No Variations]	
Engineer: Sergej Bakhmach	Revision: 01	
Size: A4	Sheet: 1 of 4	
Company: <b>Those Boards</b>		

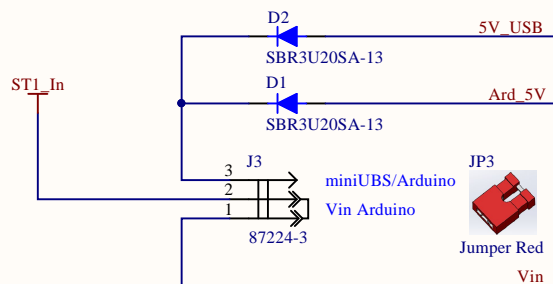
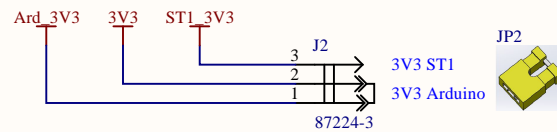
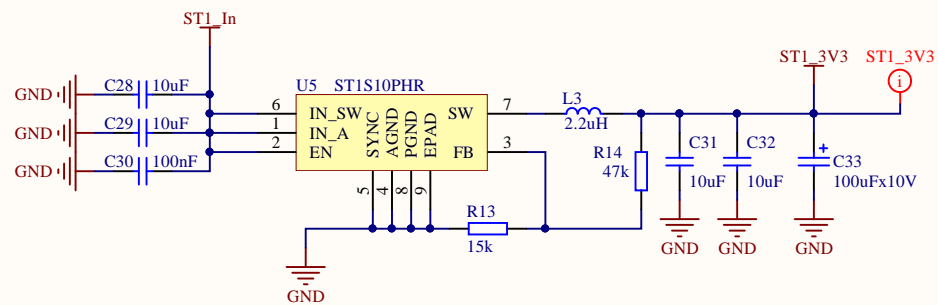


Project: <b>Arduino-TPS</b>		
Title: <b>Arduino_Connectors.SchDoc</b>	Variant: [No Variations]	
Engineer: Sergej Bakhmach	Revision: 01	
Size: A4	Sheet: 2 of 4	
Company: <b>Those Boards</b>		



Notes:  
1. Signals marked with # having inverted meaning

Project: <b>Arduino-TPS</b>		
Title: <b>USB.SchDoc</b>		
Engineer: Sergej Bakhmach	Revision: 01	
Size: A4	Sheet: 3 of 4	
Company: <b>Those Boards</b>		



Project: <b>Arduino-TPS</b>		
Title: <b>Power Supply.SchDoc</b>		Variant: [No Variations]
Engineer: Sergej Bakhmach	Revision: 01	
Size: A4	Sheet: 4 of 4	
Company: <b>Those Boards</b>		

