
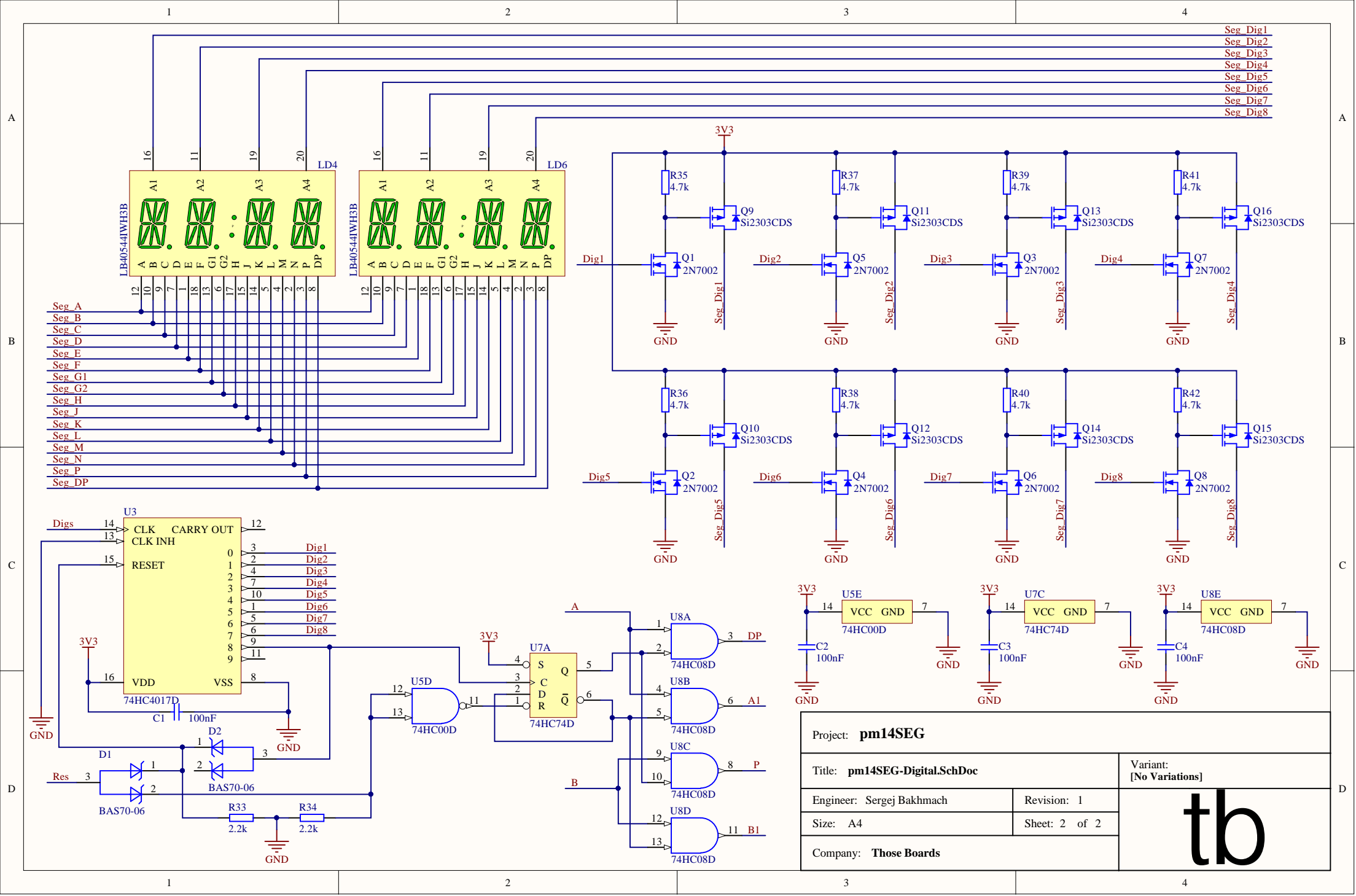
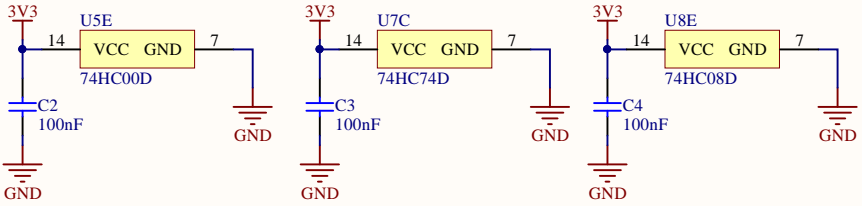
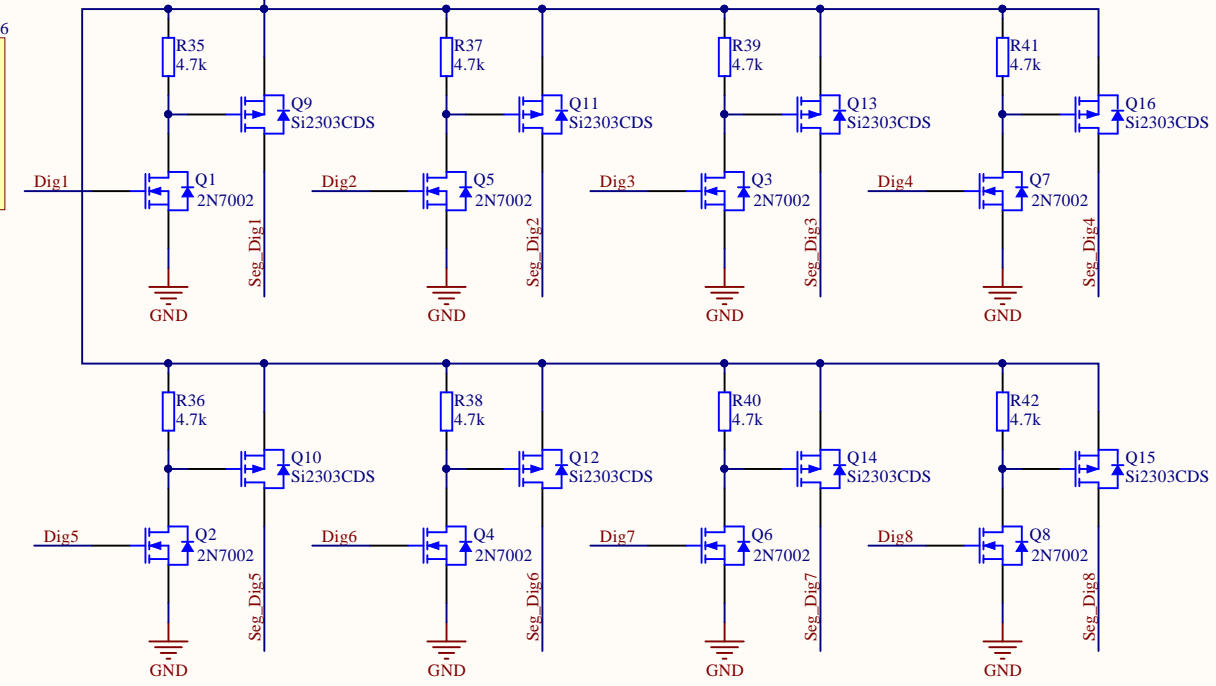
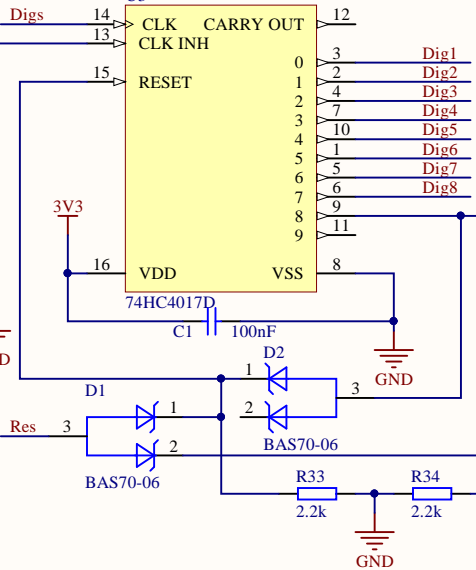


Project: <b>pm14SEG</b>		
Title: <b>pm14SEG-Segments.SchDoc</b>	Variant: [No Variations]	
Engineer: Sergej Bakhmach	Revision: 1	
Size: A4	Sheet: 1 of 2	
Company: <b>Those Boards</b>		



- Seg\_Dig1
- Seg\_Dig2
- Seg\_Dig3
- Seg\_Dig4
- Seg\_Dig5
- Seg\_Dig6
- Seg\_Dig7
- Seg\_Dig8

- Seg\_A
- Seg\_B
- Seg\_C
- Seg\_D
- Seg\_E
- Seg\_F
- Seg\_G1
- Seg\_G2
- Seg\_H
- Seg\_J
- Seg\_K
- Seg\_L
- Seg\_M
- Seg\_N
- Seg\_P
- Seg\_DP



Project: <b>pm14SEG</b>		<div style="font-size: 2em; font-weight: bold; margin: 0;">tb</div>
Title: <b>pm14SEG-Digital.SchDoc</b>		
Engineer: Sergej Bakhmach	Revision: 1	
Size: A4	Sheet: 2 of 2	
Company: <b>Those Boards</b>		