
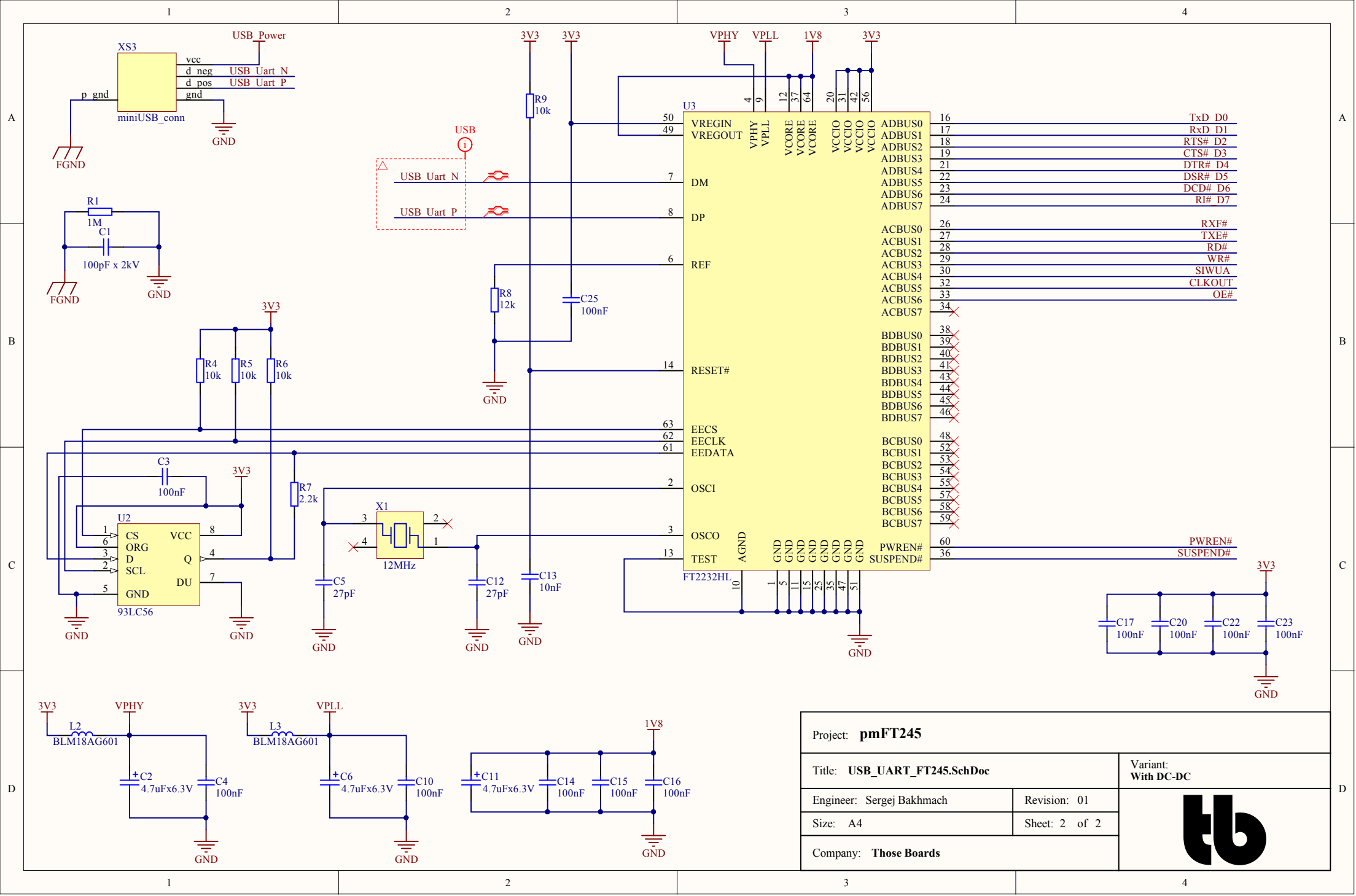



J3 used in variant Without DC-DC.

Project: pmFT245			
Title: PMOD&Power.SchDoc			Variant: With DC-DC
Engineer: Sergej Bakhmach	Revision: 01		
Size: A4	Sheet: 1 of 2		
Company: Those Boards			



Project: pmFT245		Variant: With DC-DC 
Title: USB_UART_FT245.SchDoc		
Engineer: Sergej Bakhmach	Revision: 01	
Size: A4	Sheet: 2 of 2	
Company: Those Boards		