
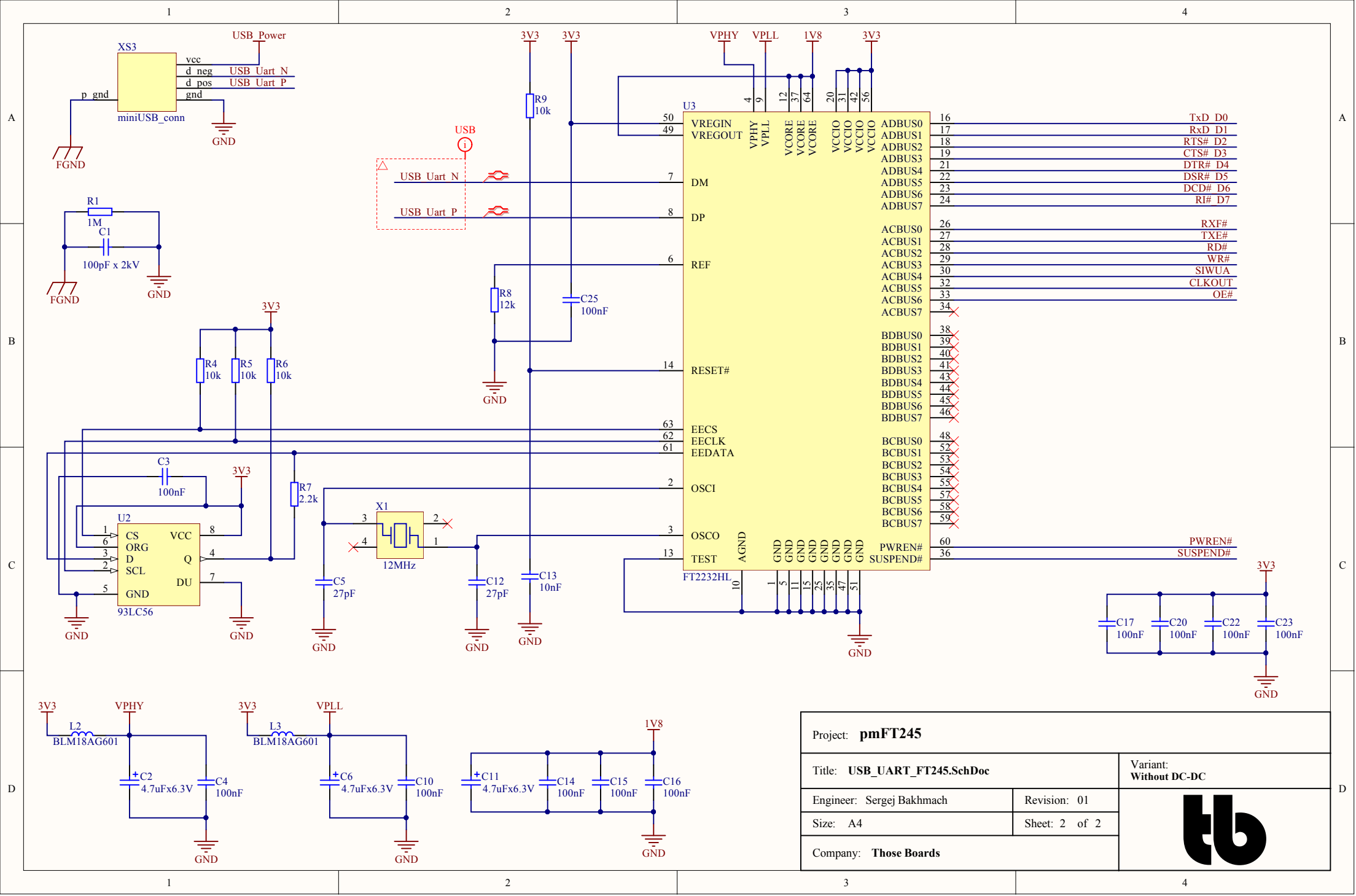



Project: <b>pmFT245</b>		
Title: <b>PMOD&amp;Power.SchDoc</b>	Variant: <b>Without DC-DC</b>	
Engineer: Sergej Bakhmach	Revision: 01	
Size: A4	Sheet: 1 of 2	
Company: <b>Those Boards</b>		



Project: <b>pmFT245</b>			
Title: <b>USB_UART_FT245.SchDoc</b>			Variant: <b>Without DC-DC</b>
Engineer: Sergej Bakhmach	Revision: 01		
Size: A4	Sheet: 2 of 2		
Company: <b>Those Boards</b>			